

In certain applications, customers may desire a closer fit between the housing shaft hole opening and the motor or fan shaft, but for reasons of cost or because of space limitations (Arrangement 4 fans), standard shaft seals may not be acceptable. In these cases, a Teflon shaft hole closure may be a viable alternative.

The Teflon shaft hole closure is cut from 1/16" thick solid Teflon sheet. The shaft hole is sized to nominal motor and fan shaft sizes for close fit (for motors with 1-1/8" or larger shafts, the closure I.D. is 1/16" larger than the shaft diameter). Teflon closures are attached to the inside of the fan housing with three self-tapping sheet metal screws as illustrated below.

Because Teflon closures do not have the sealing capability of conventional shaft seals and because of the method of attachment, Teflon closures will not be supplied on fans with any of the following:

- A. Any type of spark-resistant construction.
- B. Aluminum or stainless housings.
- C. Any type of special airstream coating.
- D. Heat Fan Construction.

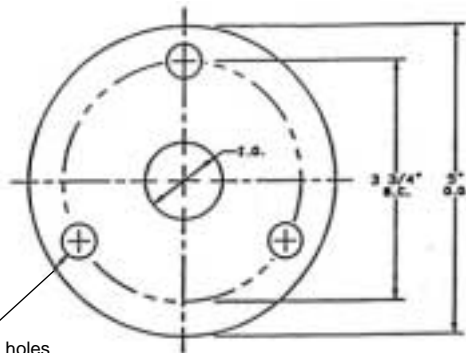
Teflon shaft closures are available according to the following schedule:

Motor Frame Size	Motor Shaft Diameter	Fan Shaft Diameter	Teflon Closure I.D.	Used on Size/Product					
				Junior		CGI		PB	GPA
				Arr. 4	Arr. 9, 10	Arr. 4 & 4V	Arr. 1, 9 & 9X	Arr. 4 only	
48	1/2	--	1/2	75, 90		85 - 105			
56	5/8	5/8	5/8	75, 90	78, 93	85 - 126			
143T-145T	7/8	--	7/8	90		105 - 126		14 - 22	
		1	1		125, 155		85 - 146		12, 15
182T-184T	1-1/8	1-3/16	1-3/16			116 - 146		14 - 26	18, 22
213T-215T	1-3/8	1-7/16	1-7/16					14 - 26	24, 27
254T-256T	1-5/8	1-11/16	1-11/16					19 - 26	30
284T-286T	1-7/8	1-15/16	1-15/16					23 - 26	
324T-326T	2-1/8	2-3/16	2-3/16					23 - 26	

For applications requiring other product lines or better sealing capability, New York Blower offers a complete line of shaft seals applicable to a variety of operating conditions. Shaft Seals include; Ceramic Felt, Buna-N, Viton®, and Teflon.

**Assembly**

**Shaft Hole Closure**



(3)-3/8" Dia. holes equally spaced on B.C.

