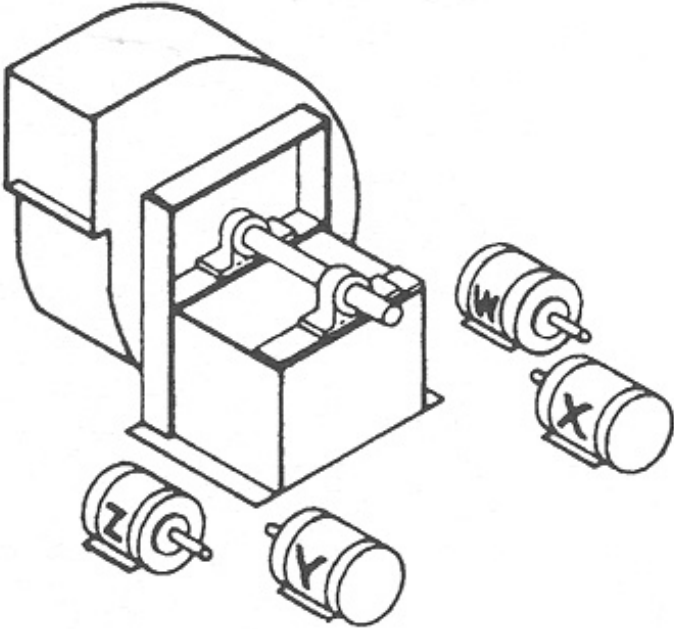


Motor Positions

For Belt Drive Centrifugal Fans



The location of the motor is determined by facing the drive side of the fan and using the designated motor positions. (AMCA Standard 99-2407-66)